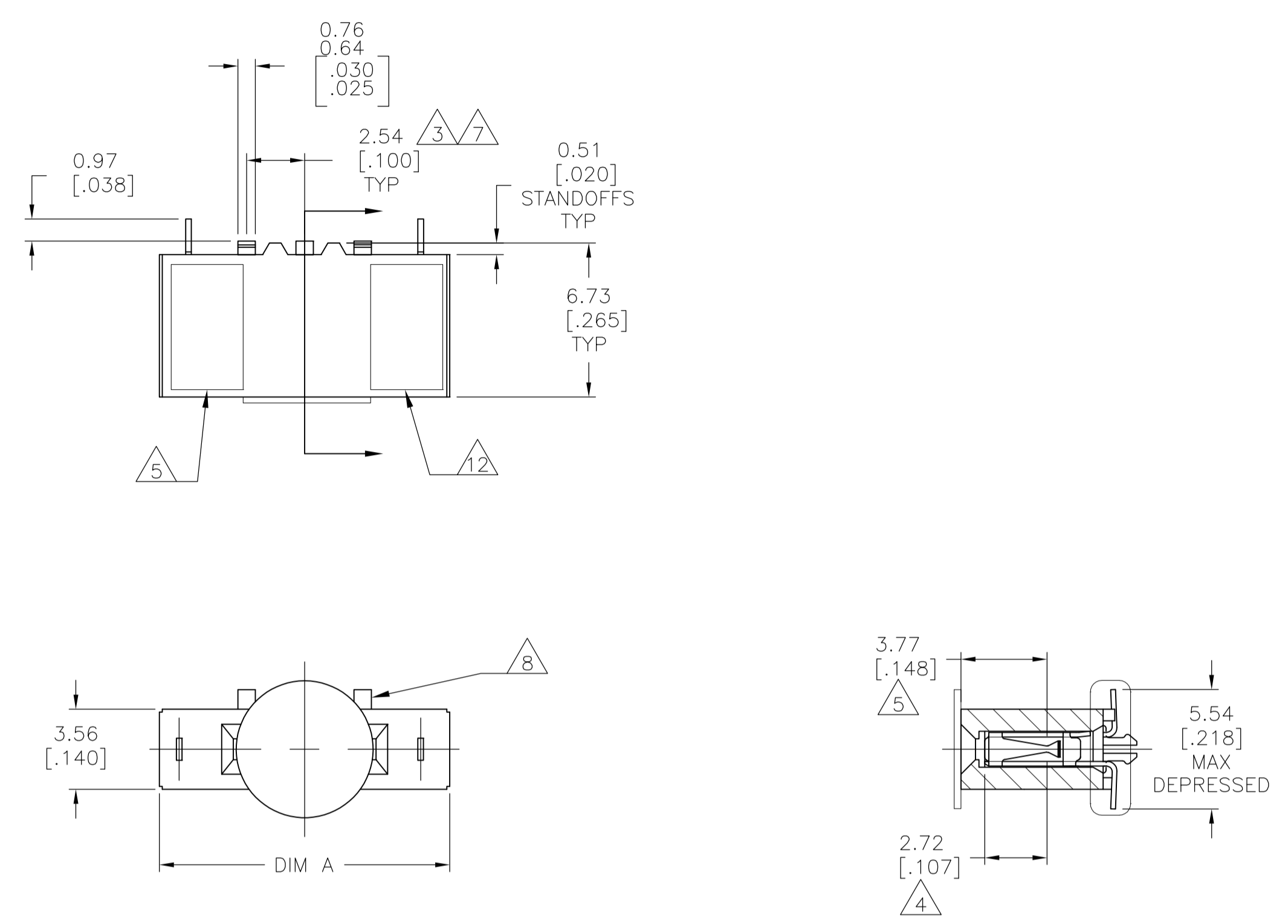
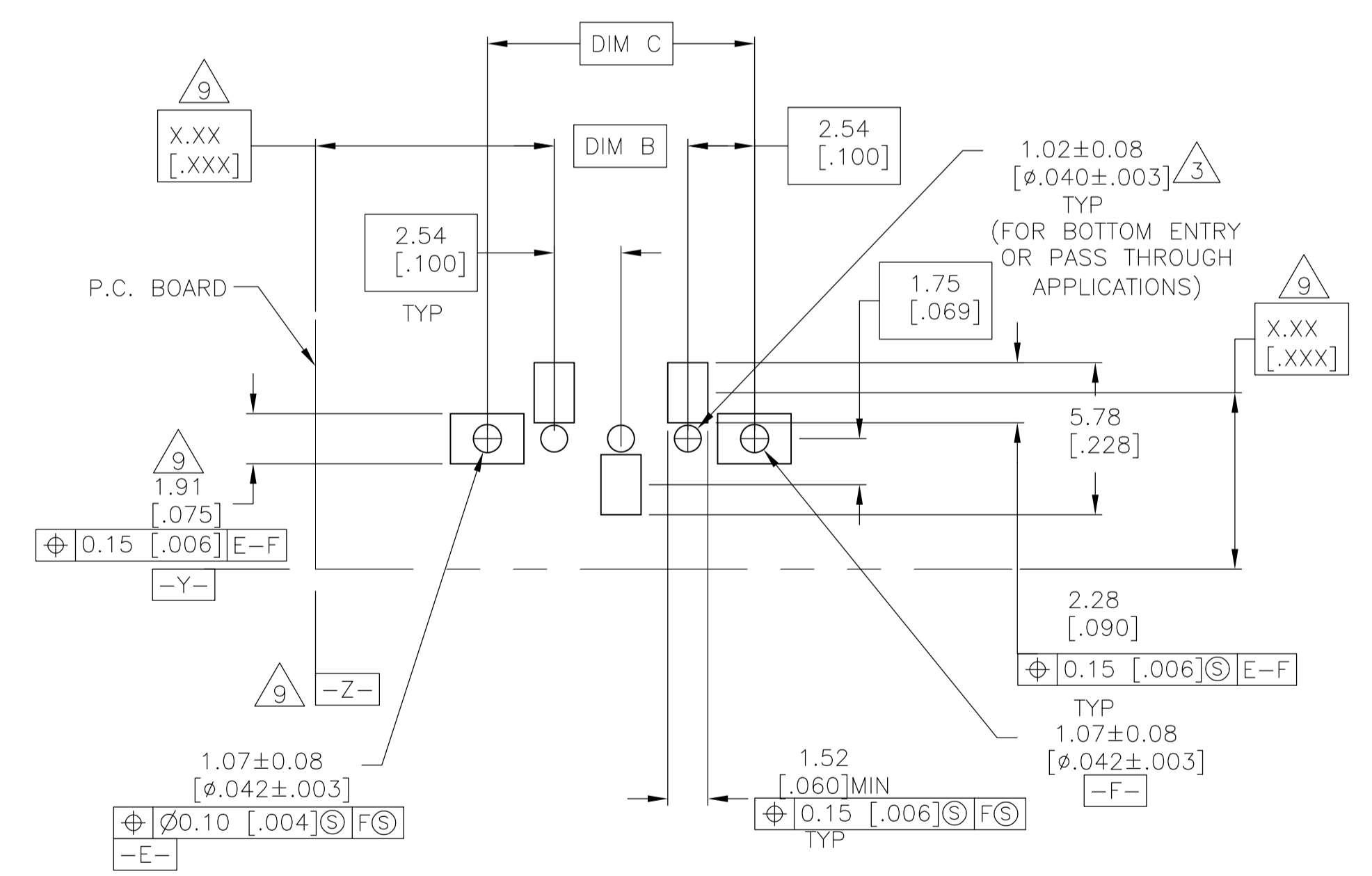


REVISED		REVISIONS			
LOC	DIST	REV	DESCRIPTION	DATE	BY
A1	REVISED PER ECO-10-007075			01APR10	HMR JO



- 1 HOUSING: GLASS FILLED, FLAME RETARDANT POLYESTER, BLACK
CONTACTS: PHOSPHOR BRONZE.
VACUUM COVER: PLASTIC
- 2 CONTACTS: DUPLEX PLATED: 0.25µm [.000010] GOLD IN CONTACT AREA
3.81-7.62µm [.000150-.000300] BRIGHT TIN-LEAD ON LEADS,
1.27µm [.000050] MIN NICKEL UNDERPLATE ALL OVER.
- 3 DIMENSION APPLIES TO HOUSING CAVITY CENTERLINES ONLY.
- 4 POINT OF MEASUREMENT FOR PLATING THICKNESS.
- 5 POINT OF CONTACT DIMENSION.
- 6 TE PART NUMBER AND DATE CODE ARE MARKED IN APPROXIMATE LOCATION SHOWN.
- 7 TOLERANCE IS NON-CUMULATIVE.
- 8 6.0±0.13 [.236±.005] TARGET AREA FOR VACUUM PICK-UP COVERS TO BE REMOVED AFTER SOLDERING.
- 9 DATUMS AND BASIC DIMENSIONS ESTABLISHED BY CUSTOMER
- 12 TE LOGO AND CSA LOGO ARE MOLDED INTO HOUSING.
- 13 NO PART NUMBER MARKING REQUIRED ON THIS PART.
- 14 CONTACTS: DUPLEX PLATED: 0.25µm [.000010] GOLD IN CONTACT AREA
3.81-7.62µm [.000150-.000300] MATTE TIN ON LEADS,
1.27µm [.000050] MIN NICKEL UNDERPLATE ALL OVER.
- 15 ALL MATERIALS AND FINISHES SHALL COMPLY WITH EU DIRECTIVE 2002/95/EC OF 27JAN2003 (ROHS).



FINISH	EIA TAPE WIDTH	DIM C	DIM B	DIM A	NO OF POSN	PART NUMBER
13	44mm	10.16 [.400]	5.08 [.200]	12.7 [.500]	3	5-1977628-1
13	44mm	10.16 [.400]	5.08 [.200]	12.7 [.500]	3	1977628-1

THIS DRAWING IS A CONTROLLED DOCUMENT.		DIN S SCHLEGEL 28MAY2009	Tyco Electronics Corporation Harrisburg, PA 17105-3608	
DIMENSIONS: mm [INCHES]	TOLERANCES UNLESS OTHERWISE SPECIFIED:	CHK J OLSON 5/28/09	APVD J OLSON 5/28/09	NAME
0 PLC ± -	1 PLC ± -	Tyco Electronics		
2 PLC ± -	3 PLC ± .005	RECT. ASSY., MOD IV, SINGLE ROW, .100 CL, SURFACE MOUNT, VERTICAL, DUAL ENTRY CLOSED ENTRY		
4 PLC ± -	ANGLES ± -	PRODUCT SPEC	108-25026	SIZE
MATERIAL	FINISH	APPLICATION SPEC	114-25018	CAGE CODE
1	SEE TABLE	WEIGHT	—	DRAWING NO
		CUSTOMER DRAWING	SCALE 5:1	SHEET 1 OF 1
		A1 00779 C=1977628		REV A1