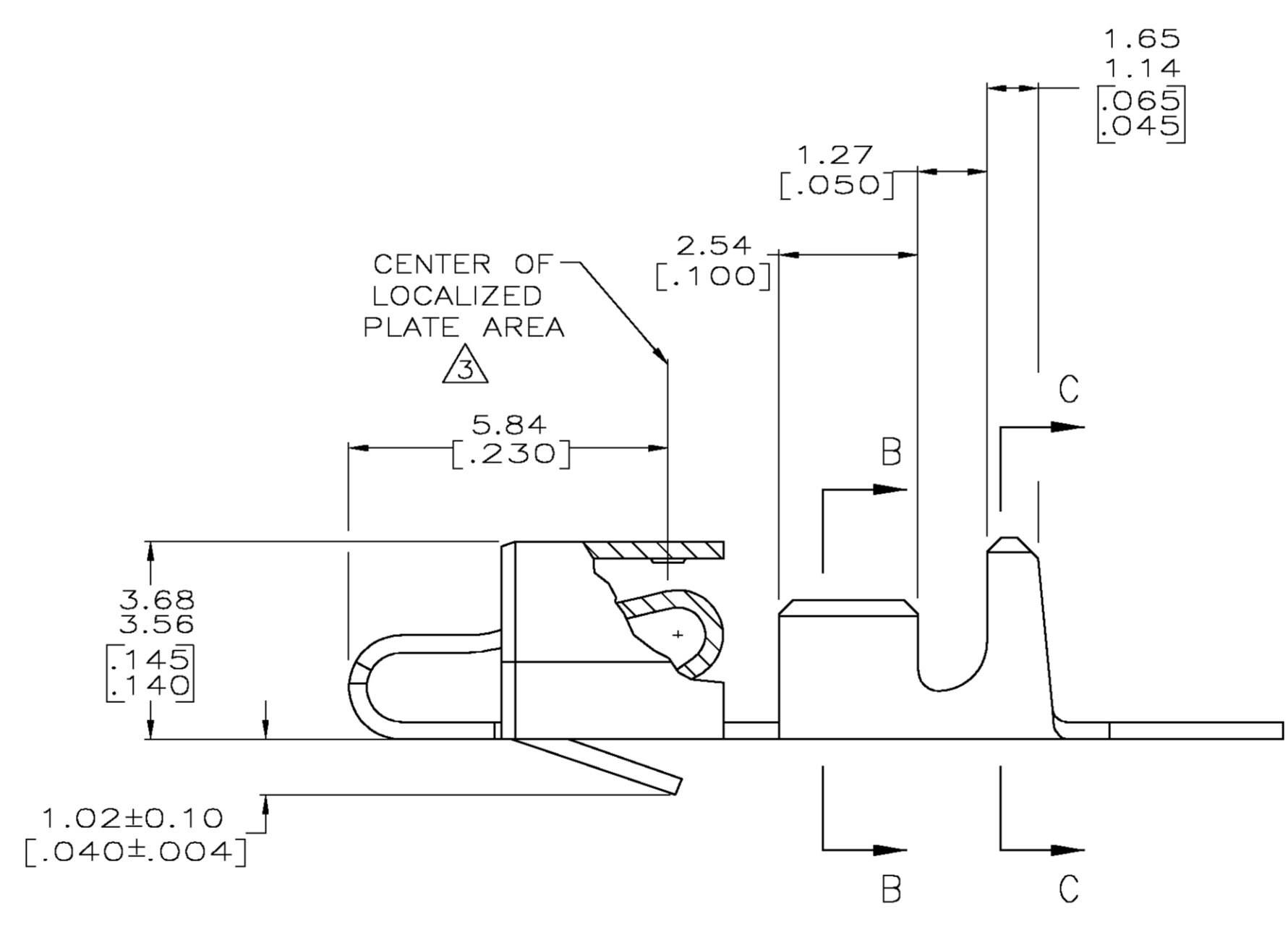
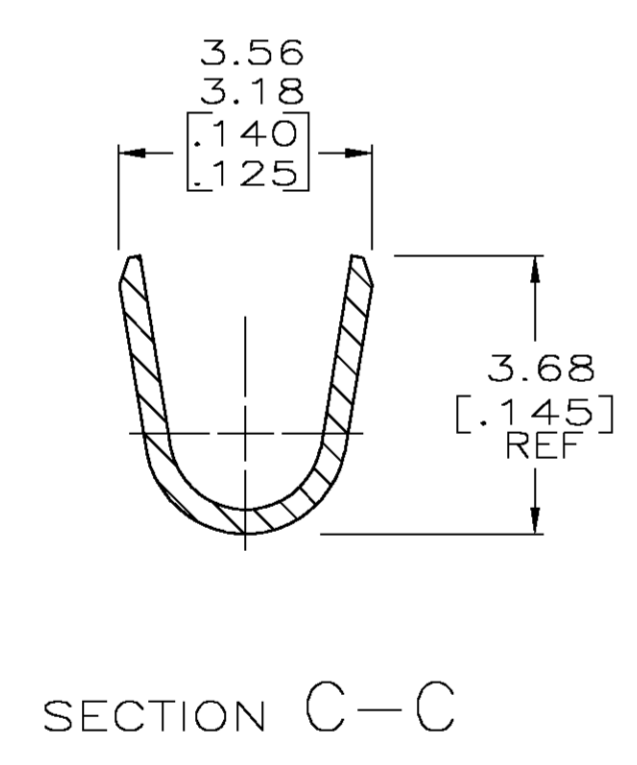
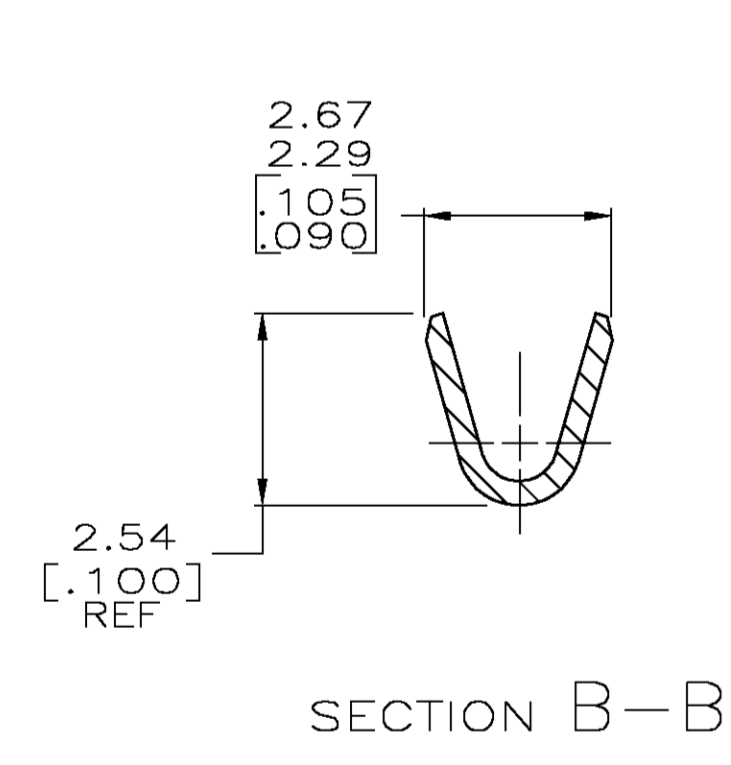


- INSULATION RANGE: 1.09-2.79 [.043-.110]
 WIRE RANGE: 0.2-0.9 mm² (24-18) AWG.
- 0.00203 [.000080] MIN BRIGHT TIN-LEAD OVER 0.00127 [.000050] MIN NICKEL.
- 0.00076 [.000030] MIN THICK GOLD STRIPES IN LOCALIZED PLATE AREA ON BEAM AND DIMPLE OVER 0.00127 [.000050] MIN THICK NICKEL OVER ENTIRE CONTACT.
- DIMENSIONS IN BRACKETS ARE IN INCHES.
- 0.00203 [.000080] MIN BRIGHT TIN OVER 0.00127 [.000050] MIN NICKEL.



△5	3-770476-1
△3	770476-2
△2	770476-1
FINISH	PART NO.



THIS DRAWING IS A CONTROLLED DOCUMENT.

DIMENSIONS:	TOLERANCES UNLESS OTHERWISE SPECIFIED:	DWN	S. CARPENTER	21AUG2003	Tyco Electronics Corporation Harrisburg, PA 17105	
INCHES	0 PLC ± 1 PLC ± 2 PLC ± 3 PLC ± 0.13 [.005] 4 PLC ± ANGLES ±	CHK	J. ELLIS	21AUG2003		
		APVD	J. ELLIS	21AUG2003	RECEPTACLE, SL-156	
MATERIAL	FINISH	WEIGHT	SIZE	CAGE CODE	DRAWING NO	RESTRICTED TO
0.318 [.0125] PH BRZ	SEE TABLE		A1	00779	770476	
CUSTOMER DRAWING			SCALE	10:1	SHEET	1 OF 1